



putties and joints

POLYURETHANE FOAM

espumais

PLASTER PUTTY

autoemplais

ANCHORAGE PUTTY

fjipopol

fjipopox

BONDING AND SEALING PUTTY

lastois pol liquido

lastois ms

lastois pol

teais junplas

lastois spt

RENOVATION OF JOINTS

teais jun

ACRYLIC SEALANTS

lastois roca

lastois 10

teais juncril

PREFORMED JOINTS

junta laminar lastois

GROUTING MORTAR

rejuntais plus

rejuntais

HYDROEXPANSIVE SEALANT

lastois hidroexpan

expais jun

EPOXY SEALANT

epoais jun

virojun

OTHER USES

teais block

lastois psf

teais figrap

Learn more about our full range of products
www.teais.es

polyurethane foam

espumais

Espumais is a single component foam, self-expansible, very stable, polymerizes by air humidity, is thixotropic and without retraction. It is applied directly by foam-gun.

In the assembly of carpentry of doors and windows. For filling holes and cavities in holes and walls. For acoustic insulation. To fix insulating and decorative pannels. To optimize insulating and refrigeration works.



Packaging: 750 cc
Consumption: Aprox. 39 l per 750 cc package

polyurethane foam

plaster putty for metallic elements

autoemplais

Autoemplais is a plaster for two-component metallic elements that has an high power of filling, drying and ease of sanding once dry.

The product is used as a putty for metallic elements. It is mainly used for bodyworks in general, also for filling cracks and dents which require a filling with a high filling capacity compared to the depth to be closed.



Packaging: 1.5 kg
Consumption: According to use

plaster putty

fijopol

two component polyester-based resin for quick anchors



Fijopol is a two component polyester-based resin presented in tubes which the mixture of the components is performed in the extrusion process. It has a fast hardening, without shrinkage and with high mechanical resistance. Fijopol is a thixotropic product.

It is used for fixing anchors into solid supports such as concrete, stone, rock, or hollow brick and masonry.



Packaging: 300cc
Consumption: 1,2 kg per lt

fijopox

two-component epoxy resin for high resistance anchors



Fijopox is a two-component epoxy resin that comes in two tubes in which the mixing of components is done in the extrusion process. It hardens without retraction and achieve high mechanical resistance. FIJOPOX is a thixotropic product.

It is used for fixing anchors on solid supports such as concrete, stone, rock or hollows such as brick masonry.

It is used for maximum mechanical requirements.



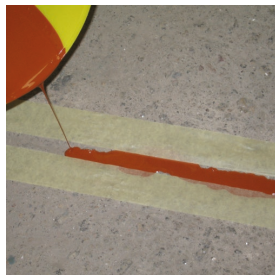
Packaging: 300cc
Consumption: 1,3 kg/lt

sealant based on two component polyurethane resins in fluid consistency

lastois pol líquido

Lastois Pol Líquido is a two-component polyurethane resin of average density, high elasticity, high tack and very good filling capacity.

It is used in sealing joints of pavement, where high elasticity, good filling capacity, ease of application, high chemical and mechanical resistance is required.



Packaging: kit of 1kg, 10 kg
Consumption: 1,5 kg per lt of filled volume



bonding and sealing

neutral elastic sealant adhering to wet substrates

lastois ms

Lastois MS is a neutral curing putty sealant based on silane modified polymers. Without solvent and isocyanates.

Caulk with elastic properties, which adheres to most surfaces such as building glass, aluminum, concrete, plastics, PVC, metal, wood, shingles, etc.. Allows use on damp substrates with good adhesion. Indoors or exteriores. Resist to UV radiation (except the putty colorless)



Packaging: 310cc
Consumption: 12 ml per tube in 5 mm cords



bonding and sealing

lastois pol**elastomeric polyurethane putty**

Lastois Pol is an elastomeric putty-adhesive based on polyurethane, with high adhesive power and accelerated polymerization by environment humidity action, designed for flexible and watertight joints onto any kind of holder.

For fixing roof tiles, undulated asbestos cement decks, wood baseboards and skirting boards, sinks, metallic kitchens, etc. Flexible unions on decks, carpentry, installations, etc. Repairing pipes, ducts, etc. For bonding screens, partition walls, synthetic panels, etc. For bonding elements submitted to great efforts, impacts, PVC plates, etc.

*Packaging: 300cc
Consumption: 12 ml in 5x5 mm joints*

lastois spt**translucent polymer sealant**

Lastois SPT is a translucent polymer sealant that contains nanoparticles of silica.

It is used for sealing several types of surfaces mainly made of stone, works of wood, fissures, joints, in refurbishment and construction works. It can't be used as an adhesive.

Sealing where there is no permanent moisture.

*Packaging: 300cc
Consumption: 1,3 kg/lt*

modeling putty for bonding and sealing

teais junplas

Teais Junplas is a sealant based on high-quality elastomers and plastomers.

Used for sealing contraction joints on polished concrete floors, printed concrete flooring, etc.



Packaging: 6 kg

Consumption: According to joints size

bonding and sealing

renovator and joint sealant

teais jun

Teais Jun is a sealant and renovator for joints in ceramic boards, tiles, marbles, etc.

The product is applied onto the joints as a marker which greatly simplifies the joints renovation.

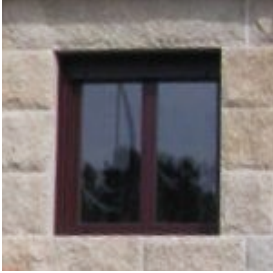
It is used for all kind of joints in both ceramics and tiles, marbles, etc. Teais Jun is used in the renovation of bathrooms, kitchens, toilets, etc.



Packaging: 310cc

Consumption: 12 ml in 5x5 mm joints

joint renovator

lastois roca**special sealant for stone work**

Lastois Roca is an elastic mortar sealant, with mineral and pigment charges. It has high resistance against atmospheric elements and UV radiation. The product when is cured becomes waterproofing, and once it is dry, allows painting on it with water-paints.

It is used for sealing several materials of construction such as frames, aluminium windows, wood, iron, PVC, etc.

It is used for filling and sealing cracks, joints, chimney finishes, fiber-cement, slate, etc. Plasteboards, prefab-concrete, stone pieces, marble, etc. It is suitable for sealing and finishing on ETICS because its plasticity and transpiration properties.

Packaging: 300cc

Consumption: 1,65 kg/l

**lastois 10****water-based elastomer sealant**

Lastois 10 is an elastomeric putty of one component based on acrylic resins with high adherence and elasticity that can be painted on once dry. It has anticorrosive properties and decreases the moss formation.

It is recommended for sealing joints whose permanent deformation is not over 10% of joint width (joint with few movement). For sealing in carpentry (aluminium, PVC, wood, etc). For sealing small cracks, plumbing, etc). Basically for interior joints with few movement. For sealing fissures in works of walls or facades repainting both for interiors and exteriors.

Packaging: 300cc

Consumption: 12 ml in 5x5 mm joint



acrylic, plastic and waterproof sealant in different colors

**teais
juncril**

Teais Juncril is a ready-to-use sealant based on acrylic resins, with a high strength and stability pigments, special additives and solar protectors.

Ideal for grouting natural stone, artificial stone, marble, granite, ceramic.

It is available in buckets, can be applied with a reloadable hand gun or ideally with our APLIJUN mortar applicator.



Packaging: 6 kg bucket
Consumption: 1,8 kg/mm/sqm

acrylic sealant

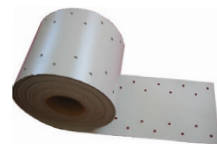
preformed band for sealing expansion joints

**junta laminar
lastois**

Junta Laminar Lastois is a preformed joint made of plastified PVC with lateral punches, special for the expansion joints sealed which require watertightness.

It is proper for the expansion joints sealed when their surfaces are irregular or have important movements and is not possible the use of conventional sealing products or it is no possible make the sealed by PVC joints like JUNTAIS.

It is used for tunnels, galleries, sewage treatment plants, terraces, swimming pools, around iron tubes, steels, concrete, cementings, along with great movements.

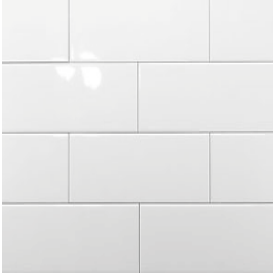


Packaging: 20 m
Consumption: 1ml per ml of joint

preformes joints

rejuntais plus

mortar for joint from 1 to 6 mm



Rejuntais Plus is a special mortar for sealing of ceramic, stone, marble, mosaic, granite, etc. seals.

The product has excellent adhesion properties, wear-resistant, mechanical strength, etc. By its characteristics, it is a very resistant product to apply in swimming pools.



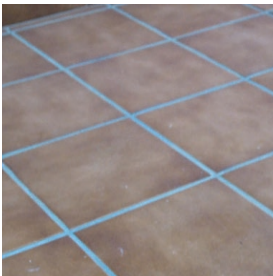
Packaging: 1 kg, 5 kg, 25 kg

Consumption: F: 0,65 kg/sqm t= 5 mm

G: 1,3 kg/sqm t= 10 mm

rejuntais

joint sealer for tile and ceramics



Rejuntais is a special mortar that mixed with water makes a paste suitable for sealing of tiles, platelets, vitrous stuff, etc. Rejuntais has mixed cement-polymer binders, controlled retraction and contains special additives that improve its adhesion and impermeability.

(Verifies the norm UNE EN 13888 for CG 2 type)

It is used for sealing joints on floor and wall coverings, in indoors or outdoors, in bathrooms, kitchens, swimming pools, pavements in general, for its excellent glossy appearance is very suitable for coatings onto coatings based on porcelain tiles, marble, granite, etc.

With additives to prevent mold growth.



Packaging: 1 kg, 5 kg, 25 kg

Consumption:F: 0,65 kg/sqm t= 5 mm

G: 1,3 kg/sqm t= 10 mm

single component polyurethane for sealing in water presence

lastois hidroexpan

Lastois Hidroexpan is a product that reacts in contact with moisture, producing an increase in its viscosity, to achieve complete gelation and subsequent curing, which makes it ideal for sealing cracks and cavities with water infiltration, thanks to its properties proportioned a delayed cure allowing the product to benefit from the opening time required to fill the cavities by moving water optimally.



In the sealing and waterproofing of cracks and cavities with water leaks. In the sealing of underground work.



Packaging: 20 l, 5 l

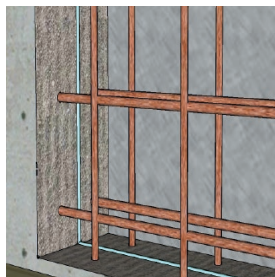
Consumption: According to use

hydroexpansive sealants

preformed hydro-expansive joint

expais jun

Expais Jun is a hydros swelling waterbar, ready for installation, to waterproof joints in concrete structures. The product is based on a special polymer technology that acts by swelling on exposure to water, to form a seal and render the joints leak-proof. EXPAIS JUN not lose properties after several cycles of dry-wet or after a prolonged period of moisture.



It is used to contain water leaks in concrete joints and on joints without movement.

The most common applications are screen walls, pillars in pile cap, and any union of concrete in contact with water, walls meetings with screeds, sealing penetrations in concrete, prefabricated elements. Cold joints in which sealing is required.



Packaging: 15m

Consumption: According to use

hydroexpansive sealants

epoais jun

two-component seal of high chemical resistances



Epoais Jun is a two-component putty based on epoxy resins mixed with antiacid aggregates for filling joint on floors resistant to diluted acids and alcohol. Its application in chemical and food industry. It is manufactured in two ways of drying. The normal one (6 hours) and the fast one (1 hour and half).

As a joint sealant on floors of antiacid tiles. In any facility of chemical or food industry where a high conditions of cleaning and healthiness are required such as slaughterhouses, dairy plants, etc.

Made in two versions of drying, normal (6 hours) and fast (1 hour and 1/2).



Packaging: 4,5kg

Consumption: According to use

vitrojun

high-chemical strength glazed seal



Vitrojun is a glazed joint based on epoxy water-based resins of two components which blended have a doughy consistence.

It is suitable for grouting on floors or walls, domestic use, industrial, commercial and very suitable for using in hospital because of its ease of cleaning and no porosity. Suitable for areas exposed to chemical substances, environments with intensive transit, pools of new construction, grouting for refurbishment on existing pools, areas exposed to abrupt changes of temperature or freezes, etc. It sticks on surfaces covered with Gel Coat.



Packaging: 300cc, 1,5 kg, 7 kg

Consumption: 1,3 kg/l

elastomeric two-component self-leveling sealant based on polysulphide

lastois psf

Lastois PSF is a sealant based on polysulphide resins, elastomer and self-levelling. High chemical strength.

It is applied for sealing concrete joints, joints in permanent immersion, sealing of joints in canals, water tanks, floors of industrial warehouses, floors of stores, parkings, airports, joints in contact with chemical agents.



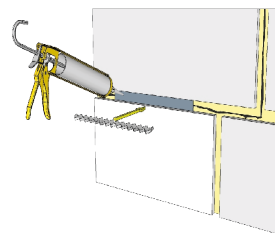
Packaging: 2,5 kg, 7,5 kg
Consumption: 100cc/ml for 10x10 mm joints

mortar sealant for installation of Teais grap dentada

**teais
figrap**

Teais figrap is a special sealant without shrinkage and high adhesion based on mixed binders rich in polymers, selected fine arid and with additives.

It's used for installation of Teais grap dentada, for stainless staples, for blocking cracks



Packaging: 310cc
Consumption: 10-15 staples per tube

other uses

other uses

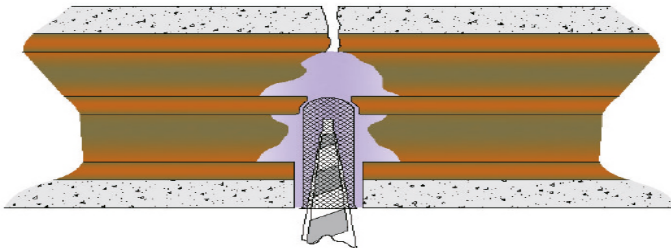
teais block

simplified system for crack blocking

Teais block is a system for sealing cracks by the realization of perforations and sealing by injections of special resins on different types of support.

The system is made of Teais block microexpansive sealant, stainless steel screens and grooved stainless steel frames.

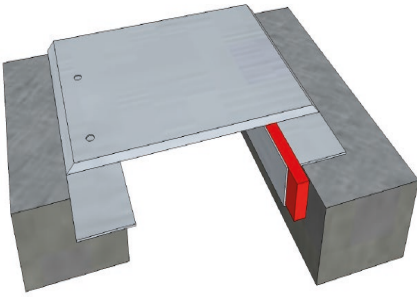
In unions with structural parts, such as columns or beams. Doing perforations, cleaning the same to remove dust, injecting resin into the perforations, and laying fresh sealant of the ribbed frame for each perforation.



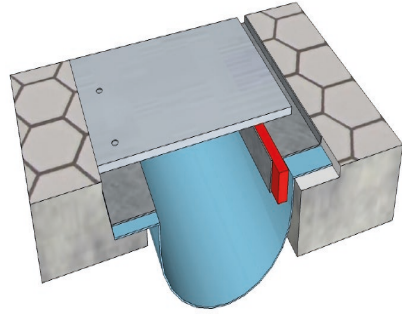
For cracks on hollow supports such as bricks or blocks, perforations should be made with a separation of approx. 15 cm, remove the dust, place the screens in the perforation and inject the teais block resin. Once dry remove the excess thickness, coat the substrate again and paint.

More information on teais block
www.teais.es

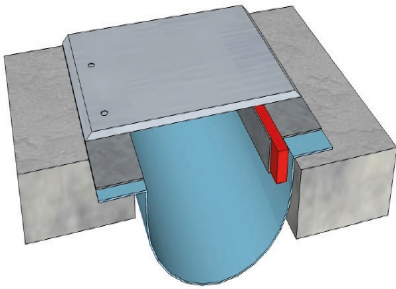
Packaging: 300cc
 Consumption: 12 ml 5x5 mm joints



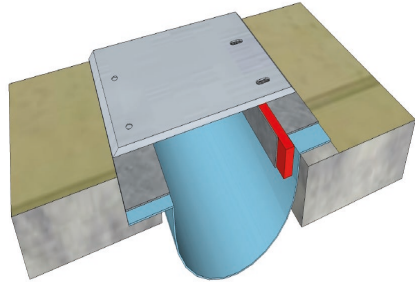
Teais IN101



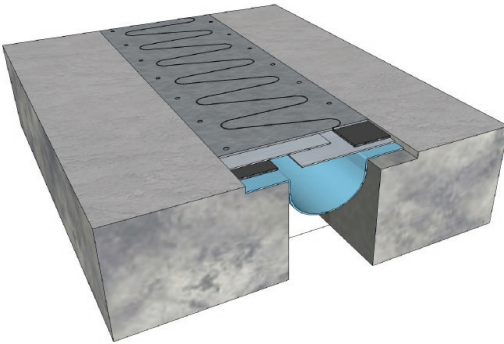
Teais IN102



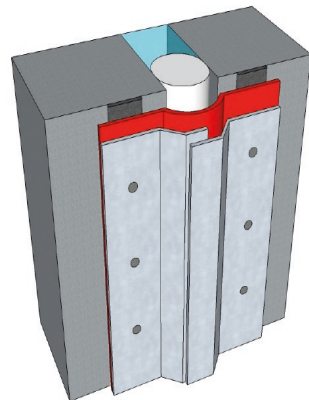
Teais IN103



Teais IN104

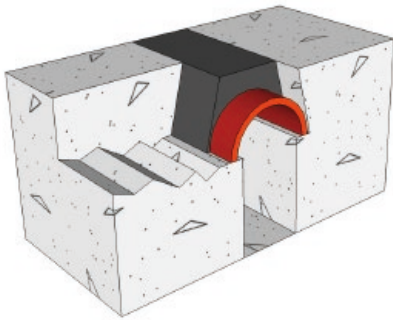


Teais IN105

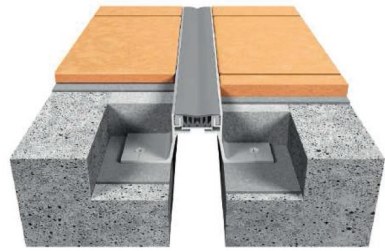


Teais Water-jun

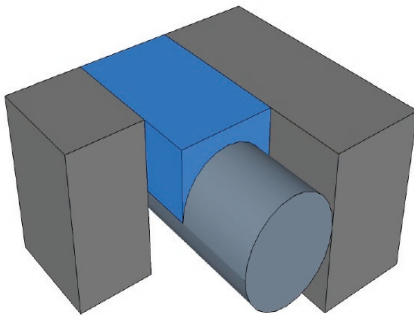
*Specially designed to resist
To moisture by negative pressure*



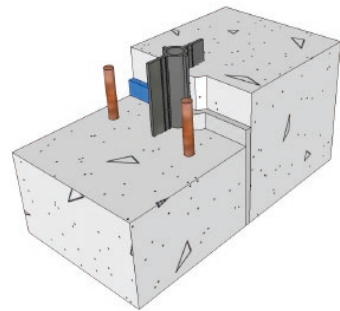
Teais IN201



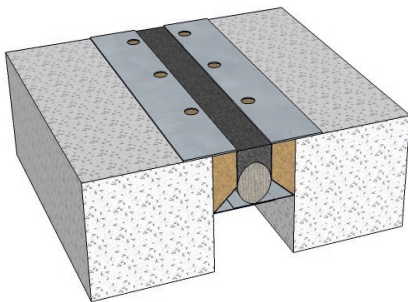
Teais GTF 20.6



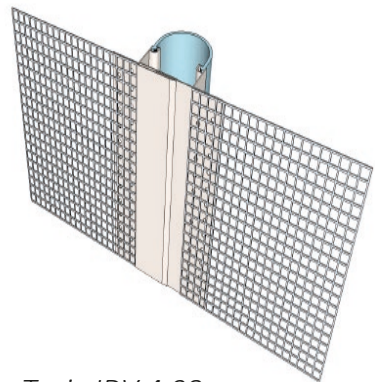
Teais B201



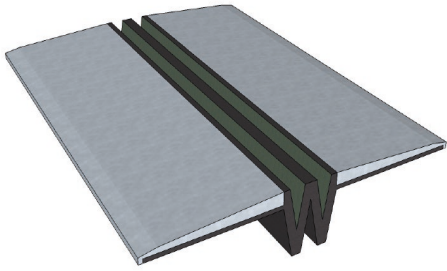
Juntais



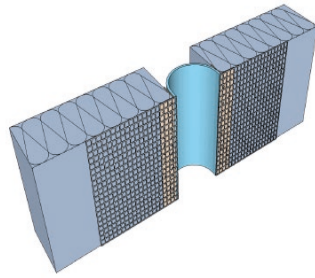
Teais IN 202



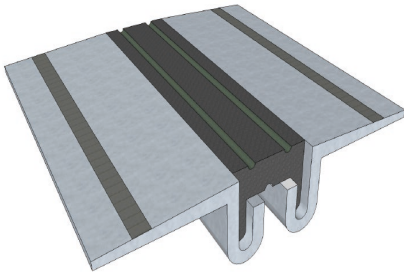
Teais JDV 4.08



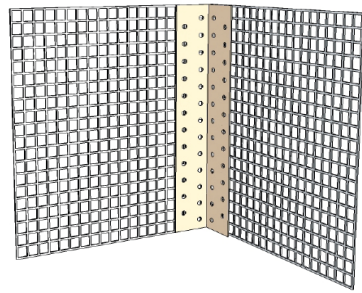
Teais JDH 5.32



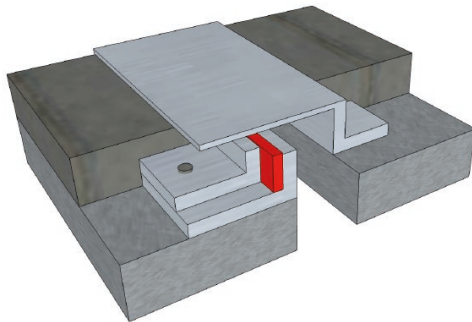
Teais Junta ETICS System



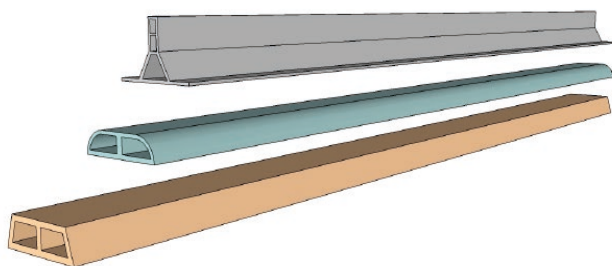
Teais RM20



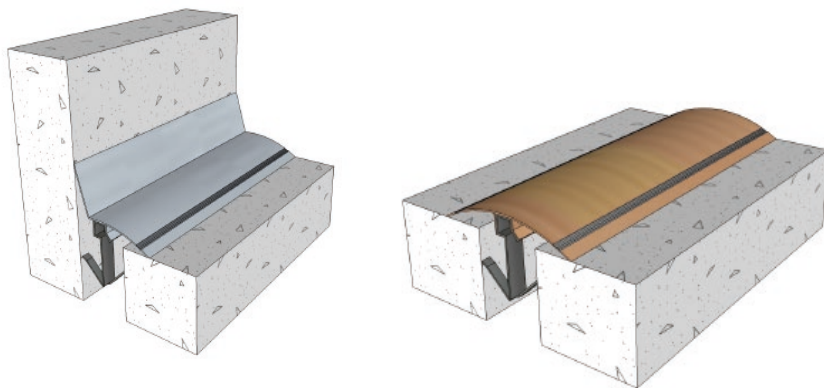
Corner reinforcement



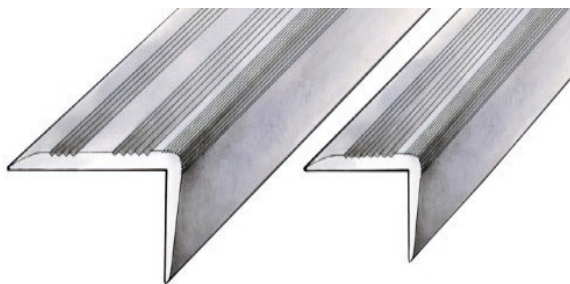
Teais JDH 6.32



Juntis



Teais Cubrejuntas Clip



Teais NMD VD