



“ **CREATING HOPE FOR
A BETTER FUTURE** ”

www.jkmedirise.com

sales@jkmedirise.com

jkmedirise@gmail.com

+91 90168 28579

407, Baleswar Avenue, Opp.Rajpath Club,
S.G.Highway, Bodakdev,Ahmedabad-380054, Gujarat,India.



 **JK MEDIRISE**
Disposable Medical Devices

INDEX

PRODUCTS	PAGE NO.
Category: Transfusion & Infusion	
IV Cannula/Intravenous Catheter/Peripheral perfusor	03
Infusion set/Intravenous Administration set/IV Set/Perfusion set/Gravity set	03
Measure Volume Burette set/Micro-drip set	04
Blood Administration set/Blood Transfusion set	04
Scalp Vein Set/butterfly needle/Winged Infusion set	05
High Pressure Monitoring Line/perfusion line/Extension line	05
Peritoneal Dialysis set	06
Category: Urology	
Urine Collecting Bag/Drainage Bag/UroBag/Catheter Bag	07
Urine Collecting Bag- Paediatric	07
Nelaton Catheter/Urethral Catheter	08
Male External Catheter/Condom Catheter/Penile Sheath	08
TUR Set/ Trans Urethral Resection Set/'Y' Junction Set	09
Foley Balloon Catheter	09
Category: Cardiology	
Control Device 12ml	10
Angiography guide wire	10
Inflation device	11
Angiographic Needle	11
Introducer Sheath	12
Manifolds (2 port & 3 port)	12
Hemostasis Valve	13
Category: Anesthesia	
Suction Catheter/Endo Bronchial Suction Catheter	14
Urethral Catheter	14
Nasal Oxygen Catheter	15
Twin Bore Nasal Oxygen set	15
Oxygen Mask	16
Guedel Airways/Oro Pharyngeal Airways	16
Endotracheal Tube (With/Without Cuffed)	17
Nebulizer Kit	17
Category: Surgery	
Chest Drainage Catheter/Thoracic Catheter	18
Closed Wound Suction Unit	18
Yankaur Suction set	19
Water Sealed Chest Drainage Bag	19
Karman Cannula With/Without Adoptor	20
Umbilical Cannula	20
Category: Gastro-Enterology	
Ryle's Tube	21
Infant Feeding tube	21
Abdominal Drainage Kit	22
Colostomy Kit	22
Category: Miscellaneous	
Infant Mucus Extractor	23
Cord Clamp	23
Category: Mix Products	24
About Us	25

IV Cannula | Intravenous Catheter | Peripheral perfusor:

Bevel type needle for easier less traumatic insert. Thin Wall FEP catheter with X-Ray opaque line.

Flexible and kink resistant catheter is double tapered with rounded tip for smooth introduction and minimum discomfort to the patient.

Injection port with one way valve and color coded cap for intermittent and safe administration of drugs during infusion.

Flexible wings provide easy and secure fixation and also prevent skin contact with luer lock connector.

High transparent flash back chamber for an easy view of returning blood.

Luer lock cap for closing the proximal end of the catheter after removing the needle.

Individual blister pack & ETO Sterilization

Available in 14G,16G,18G,20G,22G,24G,26G Sizes



Infusion set/Intravenous Administration set/IV Set/Perfusion set/Gravity set:

Made from Non-toxic Medical Grade PVC Compound.

Suitable for Gravity Infusion.

Clear, transparent, flexible chamber with filter. Soft & kink resistant Medical grade PVC Tube.

Individual Packed plastic/paper bag & ETO Sterilization.

Available in Air-Vented/non-vented/tube latex/latex free/Y-injection/20drop per ml /60drop per ml/with needle 21G

We have more than 35 various specifications available. Also we can customize Infusion set as per client's requirement.





Measure Volume Burette set/ Micro-drip set

Clear , transparent , flexible Burette type chamber with Air-vent & Micro-dropper with capacity of 150 ml & 110ml

Available in Air-Vented/tube latex/Hanger/latex free/
Y-injection/Floating Valve/60drop per ml/with needle 23G

Individual Packed & ETO Sterilization.

We have various specifications available. Also we can customize Measure Volume Burette set as per client's requirement.

Blood Administration set/ Blood Transfusion set

Made from Non -toxic Medical Grade PVC Compound.

Clear, transparent, flexible chamber with filter. Soft & kink resistant Medical grade PVC Tube.

Individual Packed plastic / paper bag & ETO Sterilization.

Available in Air-Vented/non-vented/200 micron fileter/tube latex/latex free/Y-injection/20drop per ml/with needle 18G

We have various specifications available. Also we can customize Blood Administration set as per client's requirement.





Scalp Vein Set/butterfly needle/ Winged Infusion set

Flexible fixing wings (butterfly) needle for pediatric and geriatric use.

Gauge sizes available include: 20, 21, 22, 23, 24 & 25

Siliconized, ultra sharp, stainless steel, bevel tip needle. Effective needle length : 20 mm

Color coded , 30 cm, kink resistant tubing , Luer tip female connector with closure.

Individual Packed plastic/paper/Blister & ETO Sterilization

High Pressure Monitoring Line/ Perfusion line/Extension line

Clear, transparent, flexible tube with male & female connector made from Kink resistant PVC Compound.

Available in various customized length from 10cm to 1000cm & Customized diameter ID=1.5mm to 3.0mm & OD=3.0mm to 4.5mm.

Options available with Precision Flow Controller or 3 Way Stopcock.





Peritoneal Dialysis set

Specially designed 'Y' shape transfusion set for administering dialysis solutions.

Provided with two upper control clamps to facilitate the alternative change of solution bottles.

Two lower control clamps help easy input and drainage of solution.

Proximal end is provided with suitable adapter for easy connection to catheter unit.

Sterile Pack - ETO (Ethylene Oxide) Sterilization validate according to Harmonized Standards



UROLOGY



Urine Collecting Bag/Drainage Bag/ UroBag/Catheter Bag

Manufactured from Clear, transparent, flexible PVC sheet with Kink resistant PVC Tube.

Provided with 90cm long tube with non-return valve at distal end which prevent back flow of fluid & bacterial Migration.

Available option is 2000ml capacity/1500ml capacity/with top or bottom out-let/without out-let/various type of out-let valve/Hanger option/Sampling port.

Individual Packed plastic/paper bag & ETO Sterilization.

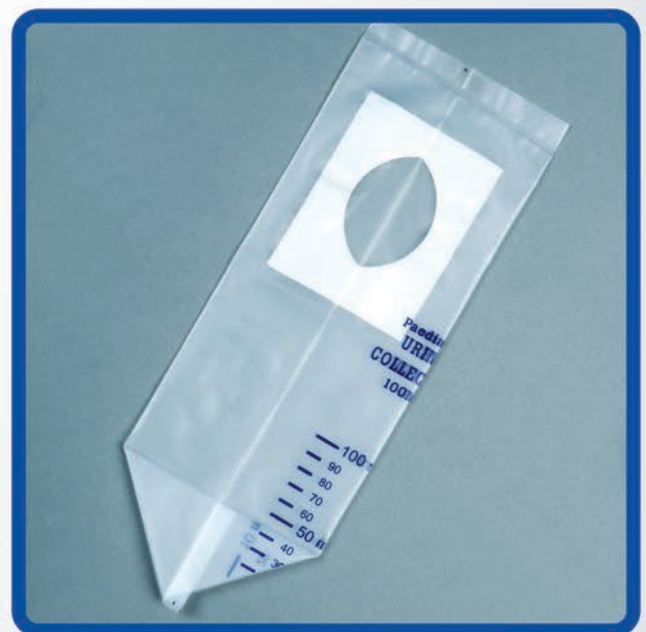
Urine Collecting Bag- Paediatric

100ml graduated Urine bag for child/infant patient.

Use in both Male & Female neonates.

Available with self-Adhesive tape.

Individual Packed plastic/paper bag & ETO Sterilization.





Nelaton Catheter/Urethral Catheter

Use for short term bladder catheterization.

Made from medical grade thermo sensitive PVC material. Perfectly finished closed distal end for smooth & painless insertion.

Available with two side eyes for efficient drainage & funnel shaped color-coded connector at the proximal end.

Size (FG): 8, 10, 12, 14, 16, 18, 20, 22, 24 & length 40cm

Individual Packed plastic/paper bag & ETO Sterilization.

Male External Catheter/ Condom Catheter/Penile Sheath

Male catheter is specially designed for urine incontinence for day and night use in male patient

Manufactured from pure latex for soft and gentle feel

Proximal end is designed for easy connection to urine bag / leg bag making it simple to use

Provided with self adhesive coated strip for proper fixing on to the penis

Available sizes: 25mm, 30mm, 35mm, 40mm (small, medium, large, extra large)

Individual Packed paper bag & ETO Sterilization.





TUR Set/ Trans Urethral Resection Set/ 'Y' Junction Set

For continuous irrigation during Trans Urethral Resection.

Y shaped connector facilitates alternative changes of solutions. Slide control clamp aids quick changes of bottle.

Proximal end fitted with flexible latex tube allows easy connection to endoscope.

Individual Packed plastic/paper bag & ETO Sterilization.

Foley Balloon Catheter

Foley Balloon Catheter is a Urinary tract catheter used for short or long term urine drainage.

Catheter are made from Natural Latex Rubber. Siliconised smooth surface for non traumatic intubation.

Distal end is coned with super smooth eyes proportional to each other to provide non traumatic intubation.

Provided with ultra thin, highly elastic Balloon. Hard Non Return Valve ensures trouble free inflation and deflation of Balloon.

Also available in 100% Silicon elastomer.

For sizes 16 to 26 Fr, smaller balloon capacity is also available on customer requirement.





Control Device 12ml

Special design with super-flexible silicon plunger greatly reduces the frictional resistance which Maintains stability and durability under pressure.

Rotating and Fixed Luers allow for flexibility and confidence in luer connection

12ml barrel is ideal for use with small catheters.

Palm pad plunger and ring grip for easy pushability.

Improved visualization with less contrast

Increased flow through smaller french sized catheters

Decreased hand fatigue.

Angiography guide wire

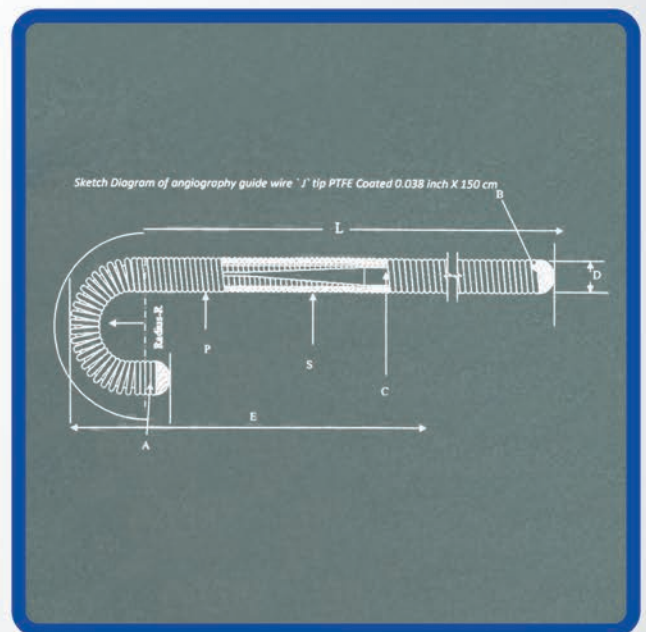
Angiography guide wires for introduction, stabilization and positioning of angiographic catheters

Standard version with dispenser and Luer lock - fitting for flushing the wire

Wide range of guide wires with J-tip or straight end

Different diameters 0.025/0.032/0.035/0.038 inches & Lengths: 150 cm, 175 cm, 200 cm, 260 cm

High quality PTFE-coated stainless / nickel-chromium steel



Inflation device

High quality pressure sensing element makes Inflation Device pressure reading highly accurate even at extremes of pressure.

Excellent graduation and error minimization for readings on grid and barrel.

Excellent eye to hand coordination by 30 ATM/Bar angled analogue pressure gauge, for accurate pressure reading and high visibility.

Inflation Device ensures accurate repeatability of the measurements for several times.

Braided tube and meticulous apparatus assembly: for better pressure tolerance and extremely critical threshold for leakage of air into loaded assembly and flexibility of device positioning

High-pressure stability: engages more threads between auto trigger and the plunger to maintain stability at high pressure. No Drifts and decays in pressure at even high pressure.

Rapid increase of pressure: One 360° rotation to raise minimum 2 ATM pressure for better precision and rapid increase in pressure, saving time of flow obstruction

Auto trigger mechanism: Excellence in design that prevents accidental release of pressure yet no compromise on ease deflation even from high pressure.

Specially Designed Housing: Ergonomic housing with figure-imprints that enhances device holding stability even with wet hands



Angiographic Needle

Combine an ergonomic hub, coated stainless steel and sharpness of the tip with top clinical performance.

2 and 3 part needles offered in standard, Seldinger or Courmand shields incorporate a blunt cannula with a solid or hollow cutting stylet

Available in 18/20/21 G , length 4cm/7cm





Introducer Sheath

Sheath introducers is a comprehensive product line offering excellent transitions, smooth insertion.

Hemostasis Valve - Minimizes blood leakage. Facilitates insertion and withdrawal of devices.

Available in 4F/5F/6F/7F/9F and in length of 11cm/23cm

Manifolds (2 port & 3 port)

Manifold are made from clear, polycarbonate bodies with leak free, smooth turning, low torque handles.

Manifolds are available in 3-port/2-port/half body/full body/Right-off handle/Right-on Handle, right orientation/250psi/500psi/1250psi





Hemostasis Valve

Hemostasis Valve allows single-handed manipulation to open and close the valve while introducing devices into the vasculature. The hemostasis seal minimizes blood loss while giving the clinician the ability to manipulate interventional devices.

Inner lumen Diameter : 2.4mm (9Fr Polycarbonate)

Available option: Screw type/Push-pull type/Push-click type/with extension & stopcock/blister pack/Tyvek pack



ANESTHESIA



Suction Catheter/ Endo Bronchial Suction Catheter

For removal of secretion from trachea and bronchial region

Soft, frosted and kink resistant PVC tubing with maximum patient comfort

Atraumatic, soft & rounded open tip with two lateral eyes

Color coded connector for easy identification of size

Also available in different connector like finger trip control connector / thumb control connector / funnel type connector

Length : 50 cms

Sizes : 5 FG to 24 FG

Urethral Catheter

Designed for short term bladder catheterisation.

Made from medical grade thermosensitive PVC material. Non-irritant to delicate mucous membranes of urethra.

Perfectly finished closed distal end for smooth & painless insertion.

Provided with two side eyes for efficient drainage. Provided with funnel shaped color-coded connector at the proximal end.

With X-ray opaque line made out of tested and siliconised, non-toxic PVC material with smooth finish to prevent obstruction of lumen and trauma to urethra by abrasion.

Sterile, non-toxic and pyrogen free.

Size (FG): 8, 10, 12, 14, 16, 18, 20, 22, 24





Nasal Oxygen Catheter

Designed for administration of oxygen.

Green colour catheter made of implantation tested PVC having open distal end with multiple eyes to facilitate dispersion of oxygen and prevent oxygen burn.

Colour coded connector for size identification.

Sterile, non-toxic & pyrogen free.

Available with 8 holes

Size: 6, 8, 10, 12, 14.

Twin Bore Nasal Oxygen Set

Suitable for easy and efficient administration of oxygen

Star lumen main tube to avoid accidental blockage

Soft and kink resistant PVC tubing

Soft twin prong nasal tips to ensure equal distribution of oxygen through both air passages which provides maximum patient comfort

Available sterile or non sterile

Tube length: 200cm

Sizes: Adult, Pediatric & Neonate



ANESTHESIA



Oxygen Mask

Single use only

Metal nasal bow

Elastic headband

Supplied with tubing

Guedel Airways/ Oro Pharyngeal Airways

Suitable for maintaining an unobstructed oropharyngeal airway during general anaesthesia and in unconscious patients

Bite block to prevent biting of tongue and airway occlusion

Rounded atraumatic edges

Smooth airway path for easy cleaning

Color coded for easy identification of sizes

Sizes : 000, 00, 0, 1, 2, 3, 4, 5



ANESTHESIA

Endotracheal Tube (With/Without Cuffed)

Made of special thermo sensitive material readily conforming to body curvatures at body temperature.

Proximal end fitted with standard 15 mm connector

Radio opaque line on the tube to facilitate easy location of tube.

Provided with soft cuff based on high volume and low pressure at the distal end

Non- return valve with pilot cuff for easy assessment of the pressure in the main cuff

Murphy eye at distal end for atraumatic intubation and extubation

Available size:

2.0/2.5/3.0/3.5/4.0/4.5/5.0/5.5/6.0/6.5/7.0/7.5/8.0/8.5/9.0/
9.5/10.0/10.5/11.0



Nebulizer Kit

Nebuliser chamber capacity 6/7cc.

Facemask with aluminium clip designed to fit comfortably over the patient's mouth.

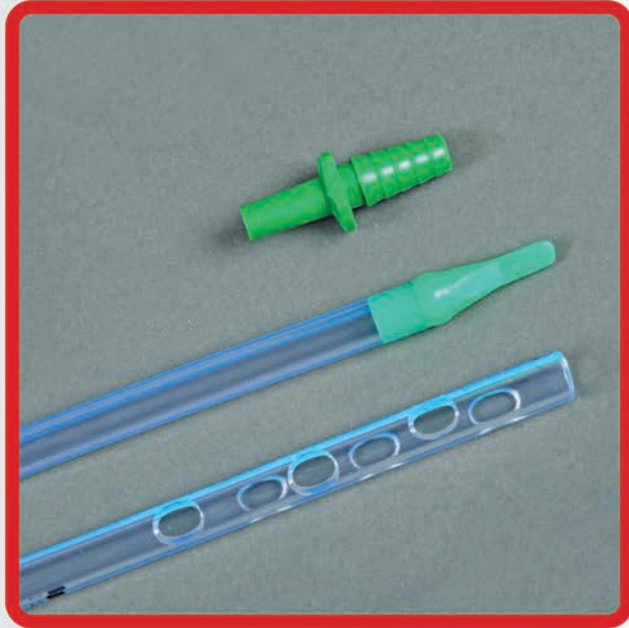
The kit contains Jet Nebuliser, oxygen mask with nose clip, elastic band and 180 cm long tubing .

ETO Sterile and Pyrogen free



SURGERY

Chest Drainage Catheter/ Thoracic Catheter



Suitable for post operative drainage after Cardio-Thoracic and Thoracic surgery.

Distal end open with smooth large eyes to maximize the drainage from the chest without Trauma to the delicate lung tissues.

Proximal end fitted with specially designed tapered tongue to provide excellent forcep grip and non-traumatic insertion.

Tubes marked at 2cm from the last eye to ascertain the depth of placement.

One loose connector provided to facilitate the immediate connection of catheter with the drainage set.

Manufactured from Non-toxic Medical Grade PVC with Radio Opaque Line throughout its length.

Sizes available (FG): 12,14,16,20,24,28,32,36,40

Closed Wound Suction Unit

Designed for close wound drainage under low / negative pressure post operatively with the option to use one catheter simultaneously.

Redon drain (Perforated) catheter is provided with radio opaque line and smooth eye.

Easy to use by one person simply open the side port depress the chamber and re-close the side port to activate the suction of bellow unit.

Available in different size with matching size curved needle to meet to moderate to heavy drainage needs:

Unit consists of:

1. Bellow unit with connectors
2. Connecting tube with clamp and 'Y' connector.
3. Curved needle with matching catheter.
4. Spare redon drain (perforated) catheter.

Available Sizes: Adult 800ml / 400ml / 50ml





Yankaur Suction Set

Yankaur Suction Set is suitable for convenient removal of secretion, blood and debris from Operative site.

Complete set is provided with Yankaur Suction Tip mounted on two meter long ribbed tube provided with Universal connector at both ends.

Complete set with other type of Suction tips are also available.

Universal connectors are moulded from soft PVC, so as to accommodate the

Suction tip on one end and most type of connectors of Suction Apparatus at the other end.

Water Sealed Chest Drainage Bag

Intra Coastal Drainage System for collection of drainage fluid from thoracic and abdominal cavity

Specially designed molded handle for easy carrying and hanging for bag

PVC drainage bag with 1000 ml capacity.

Individual Packed plastic/paper bag & ETO Sterilization.





Karman Cannula With/ Without Adoptor

Designed for menstrual termination of pregnancy.

Coned distal end with two tapered eye to facilitate the curette.

Suitable for use with MTP syringe or any model of suction machine.

Sterile, non-toxic & pyrogen free.

Size (mm): 4, 5, 6, 7, 8, 9, 10

Umbilical Cannula

Designed for intermittent or continuous access to the umbilical artery or vein of newly born or premature infant.

Open distal end without lateral eyes to eliminate chance of clot forming in the blind spaces.

Proximal end fitted with luer mount for convenient connection to I.V. Set.

Size (FG): 3.5, 4, 5, 6, 8, 10.





Ryle's Tube

Specially designed for patient undergoing long term gastro intestinal feeding, aspiration and intestinal secretion.

- Used for nasogastric introduction for nutrition and aspiration of intestinal secretion.
- Cone shaped distal end with radio opaque material for accurate placement.
- Length marking on tube.
- Soft, kink resistant medical grade PVC tube.
- Length: 105cm
- Individually packed & sterile.

Infant Feeding tube

- For paediatric and neonatal use.
- Distal end is closed with two lateral eyes.
- Radio opaque line runs through the tube marked at 20cm for accurate placement.
- Available in female flexible connector.
- Soft, kink resistant medical grade PVC tube.
- Length: 52cm
- Individually packed & sterile.

Size	FG-5	FG-6	FG-7	FG-8	FG-9	FG-10
Colour	Gray	Green	White	Blue	Orange	Black





Abdominal Drainage Kit

- Consists extra soft drainage catheter & collection bag of 2000ml.
- Made for post operative abdominal drainage.
- Soft & smooth catheter with large atraumatic eyes for efficient drainage.
- Radio opaque line on the catheter helps x-ray visualization.
- 2000ml collecting bag to collect the abdominal fluid.
- Hanger for carrying facilities.
- Individually packed in poly pouch & sterile.

Size	FG-16	FG-20	FG-24	FG-28	FG-30	FG-32	FG-36
------	-------	-------	-------	-------	-------	-------	-------

Colostomy Kit

- Used for long term for perfect relief & comfort.
- Light weight & belt to fit well body.
- 15mm "U" foam padding is providing between the sleeve & body for better comfort.
- Provided with extra bags.



Infant Mucus Extractor

Used for aspiration of secretion from Oropharynx in newly born babies to ensure free respiration.

Clear transparent container permits immediate visual examination of the aspirate.

Low friction surface catheter is provided with open end silk smooth round tip, for trauma free insertion.

Suction Tube lengths available: 35cm & 50cm

Suction Tube sizes: From 6 FG to 14 FG

Soft, frosted & kink resistant PVC tubing

Atraumatic, Soft & rounded and open tip

Capacity : 25 ml



Cord Clamp

Designed to clamp the umbilical cord soon after the birth.

Make available with double purpose security lock with a click to indicate correct locking and protect against accidental reopening.

Provided with grooves all along the length to prevent slip of the umbilical cord and to retain it in same position.

Clamp arms inclined at a suitable angle for easy movement for clamping.

Finger grip to ensure safe and convenient handling, particularly for wet gloves.

Available with re-opening facilities.

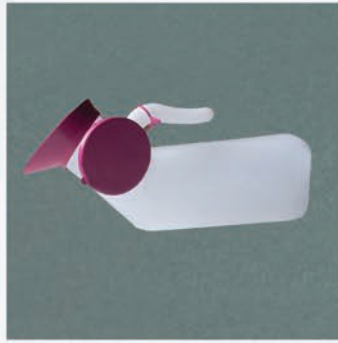
Sterile, non-toxic and pyrogen free.



MIX PRODUCT



Sterile Latex Surgical Gloves



Urine Pot-Plastic (Two In One)



Bedpan-Plastic (Two In One)



Steam Inhaler



Enema Kit



Syringes



Peritoneal Dialysis Set



Infant Feeding Tube



ABOUT US

A revolution has taken place in the field of Medical Devices with consistent innovation in technology.....

Founded in 2012, JK Medirise is a progressive and innovative Company that deals with manufacturing & exporting medical devices offering the best quality services worldwide. JK Medirise boasts of an impressive state-of-the-art facility located in Ahmedabad, GUJARAT India.

JK Medirise offers a diversified full service manufacturing hub with latest technology delivering superior quality medical devices.

We manufacture & export an extensive range of any of Medical Devices for Infusion Therapy, Transfusion Therapy, Gastroenterology, Urology, Anesthesia, Cardiology and Surgery at our high tech facility situated in Ahmedabad (GUJARAT) India.

In its drive to become the leading manufacturer & exporter in the field of Medical Disposable , the Company has developed quality and product system as per ISO 9001:2008, ISO 13485:2003 with all the products CE marked.

At JK Medirise we deliver solutions with our expertise and unparalleled precision....

With JK Medirise's global footprint we are strategically positioned to help you realize your global initiatives.....

Currently our global presence is felt in 42 countries across the world.

Come join the leaders in innovation and realize the dream of prioritizing healthcare above all.... "Let's TOGETHER make the WORLD happy Place to Live"

